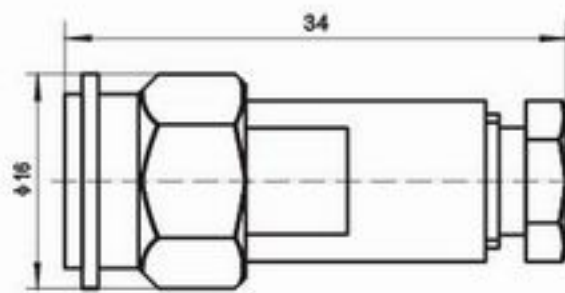


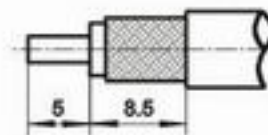
TNC

系列射频同轴连接器
SERIES TNC COAXIAL CONNECTORS

SRT 升瑞科技
SUNRISE-TECH

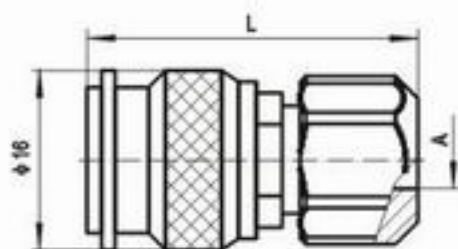


电缆剥线尺寸
Cable stripping dimensions

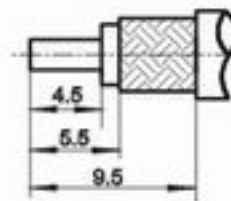


Type	Cable type
TNC-J3	SFF-50-1.5-1

TNC-J3

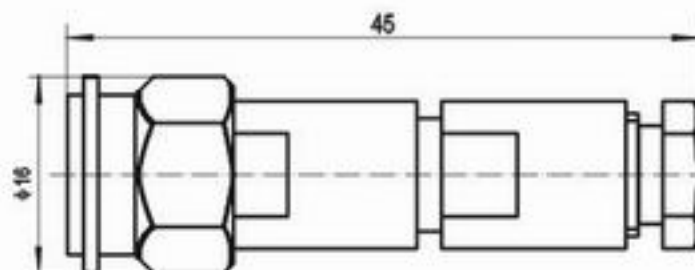


电缆剥线尺寸
Cable stripping dimensions

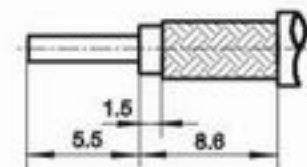


Type	A	L	Cable type
TNC-J4	±4.2	30	SFF-50-2-2, SYV-50-2-2
TNC-J5	±5.2	30	SFF-50-3-1, SYV-50-3
TNC-J5A	±3	24.7	SFF-50-1.5-1, SYV-50-2-1

TNC-J4等

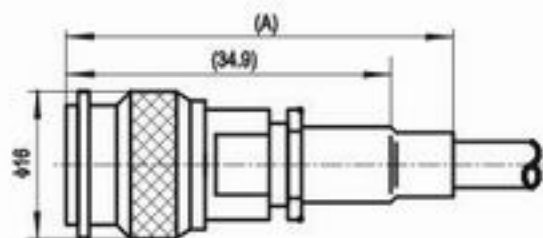


电缆剥线尺寸
Cable stripping dimensions

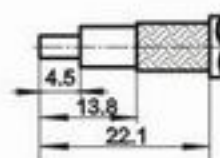


Type	Cable type
TNC-J5A	SYV-50-3

TNC-J5A

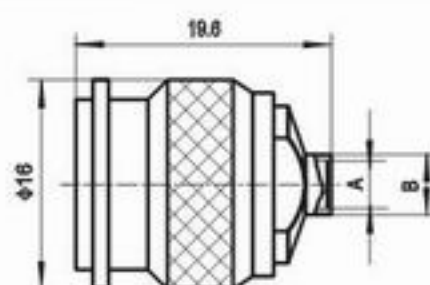


电缆剥线尺寸
Cable stripping dimensions

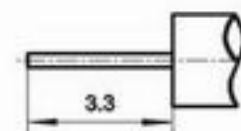


Type	Cable type	A
TNC-J4Y	SFF-50-2-2 SYV-50-2-2	46.9
TNC-J5Y	SYV-50-3	41.3

TNC-J4Y等



电缆剥线尺寸
Cable stripping dimensions



Type	Cable type	A	B	备注
TNC-JB2	SFT-50-2-1	Φ2.2	Φ3.0	外壳
TNC-JB3	SFT-50-3-1	Φ3.6	Φ4.6	镀镍

TNC-JB2等

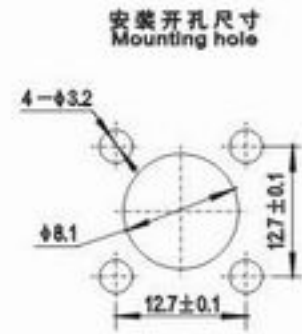
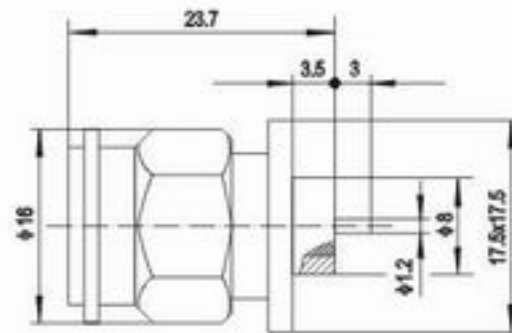
TNC

系列射频同轴连接器
SERIES TNC COAXIAL CONNECTORS

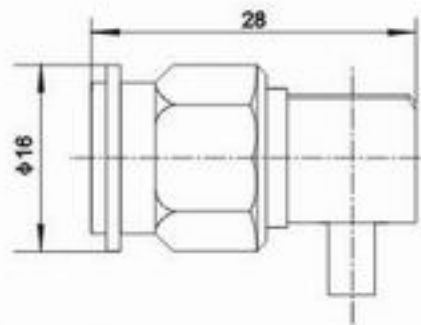
SRT 升瑞科技
SUNRISE-TECH



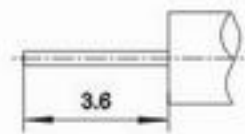
TNC-JFD



TNC-JWB3



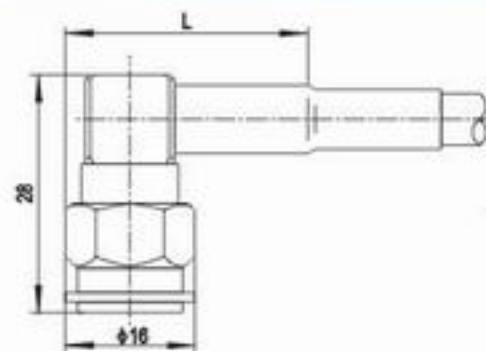
电缆剥线尺寸
Cable stripping dimensions



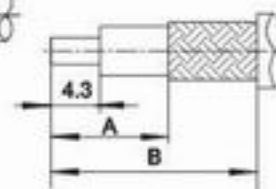
Type	Cable type
TNC-JWB3	SFT-50-3-1



TNC-JW3Y等



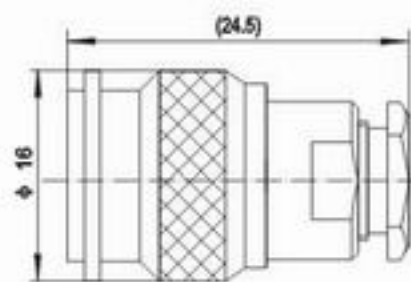
电缆剥线尺寸
Cable stripping dimensions



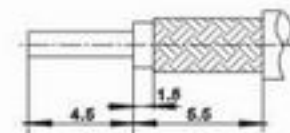
Type	Cable type	L	A	B
TNC-JW3Y	SFF-50-1.5-1, SYV-50-2-1	23.9	6.3	16.3
TNC-JW4Y	SFF-50-2-2, SYV-50-2-2	26.5	5.4	18
TNC-JW5Y	SFF-50-3-1, SYV-50-3	28.5	5.4	18
TNC-JW6Y	SFF-50-5	28.5	5.4	18



TNC-J5-1



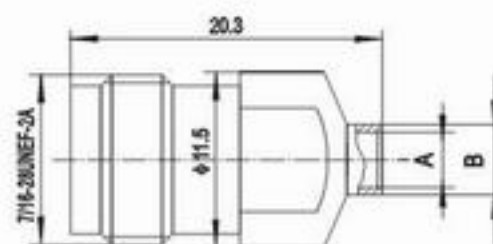
电缆剥线尺寸
Cable stripping dimensions



Type	Cable type
TNC-J5-1	SUV-50-3-5



TNC-KB2等



电缆剥线尺寸
Cable stripping dimensions



Type	A	B	Cable type
TNC-KB2	φ 2.2	φ 3.0	SFT-50-2-1
TNC-KB3	φ 3.6	φ 4.6	SFT-50-3-1

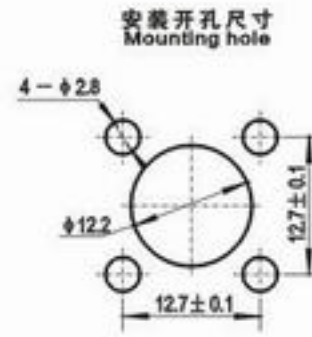
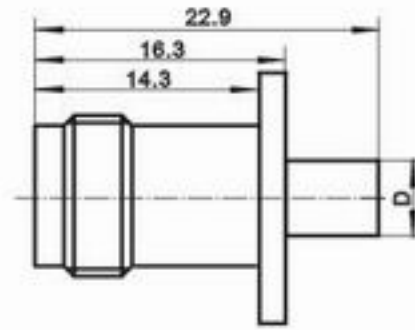
TNC

系列射频同轴连接器
SERIES TNC COAXIAL CONNECTORS

SRT 升瑞科技
SUNRISE-TECH



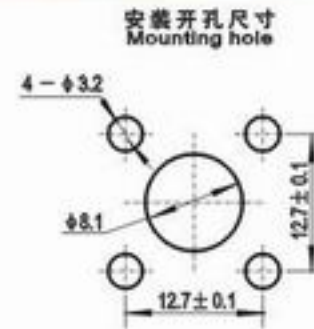
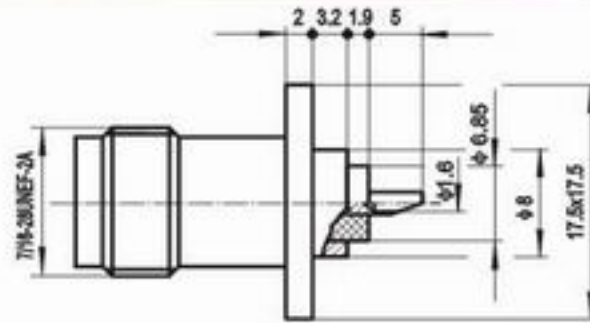
TNC-KFB2等



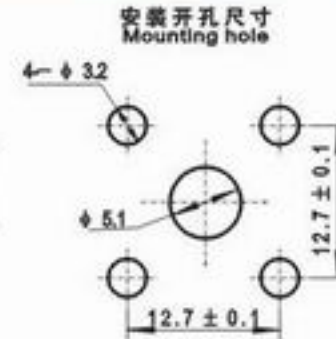
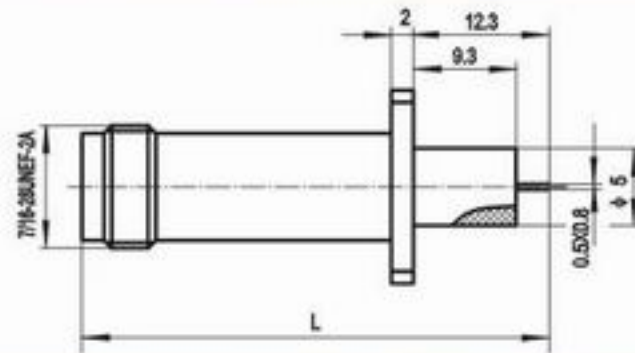
Type	D	Cable type
TNC-KFB2	φ2.2	SFF-50-1.5-1, SYV-50-2-1
TNC-KFB3	φ3.6	SFF-50-2-2, SYV-50-2-2
TNC-KFB5	φ4.1	SFF-50-3-1, SYV-50-3



TNC-KF



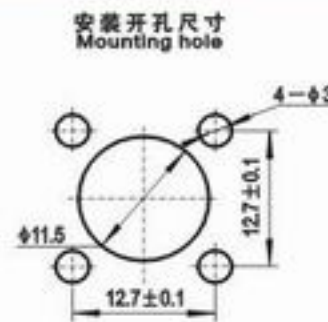
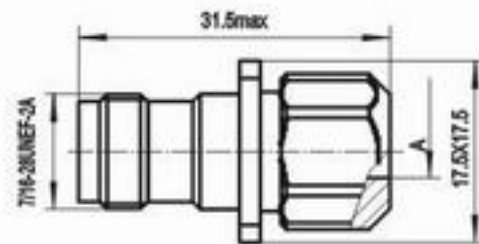
TNC-50KFD12等



Type	L
TNC-50KFD12	32.3
TNC-50KFD13	42.3



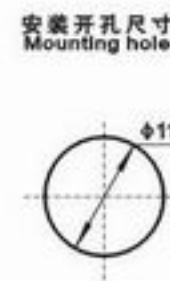
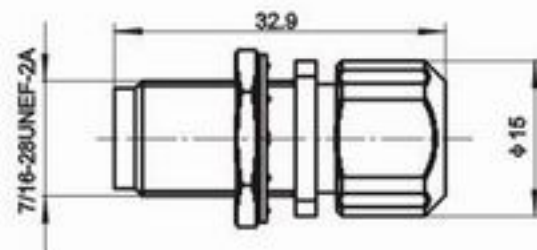
TNC-KF3等



Type	A	Cable type
TNC-KF3	φ3.1	SFF-50-1.5-1, SYV-50-2-1
TNC-KF4	φ4.2	SFF-50-2-2, SYV-50-2-2
TNC-KF5	φ5.2	SFF-50-3-1, SYV-50-3



TNC-KY3



Type	Cable type
TNC-KY3	SFF-50-1.5-1 SYV-50-2-1

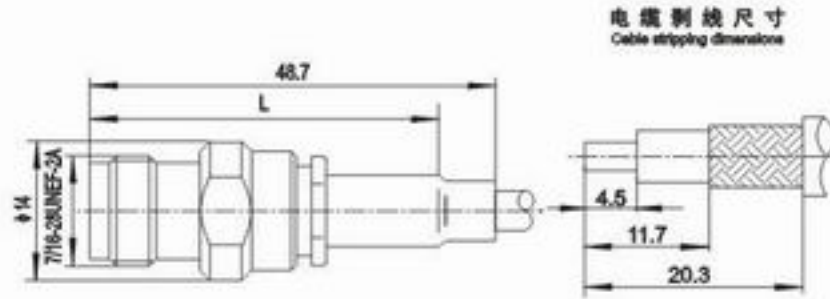
TNC

系列射频同轴连接器
SERIES TNC COAXIAL CONNECTORS

SRT 升瑞科技
SUNRISE-TECH



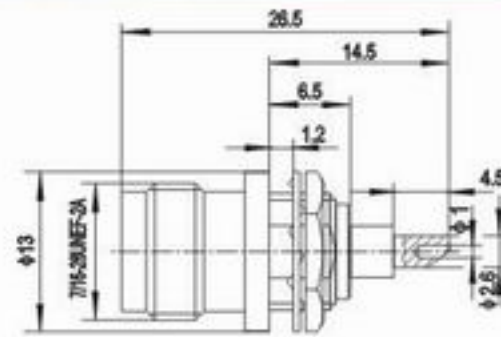
TNC-K4Y等



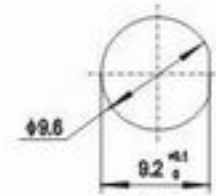
Type	Cable type	L
TNC-K4Y	SFF-50-2-2, SYV-50-2-2	33.7
TNC-K5Y	SFF-50-3-1, SYV-50-3	33.4



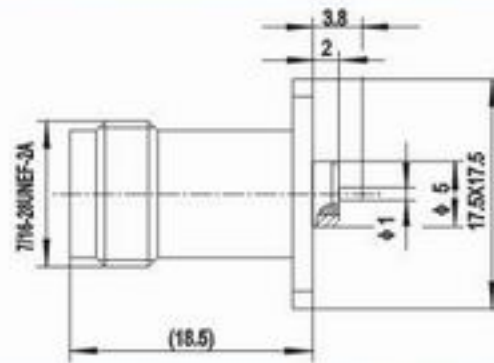
TNC-50KY



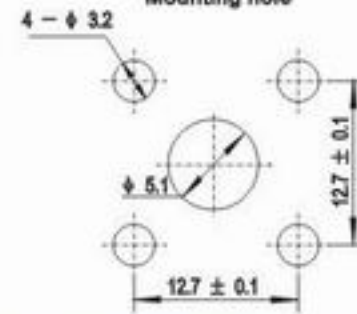
安装开孔尺寸
Mounting hole



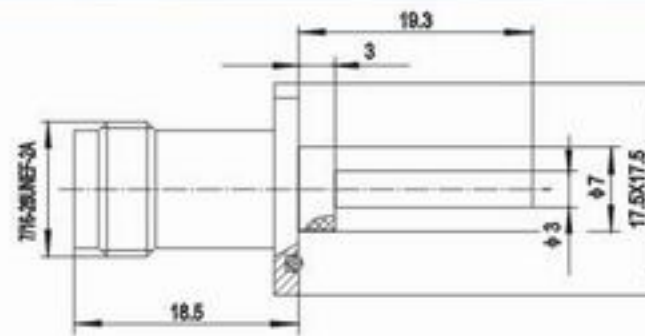
TNC-50KFD1



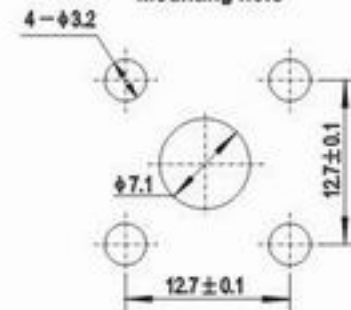
安装开孔尺寸
Mounting hole



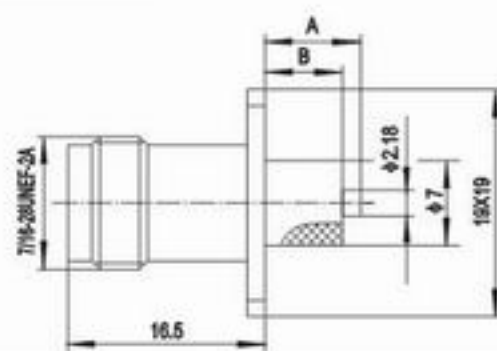
TNC-50KFD2



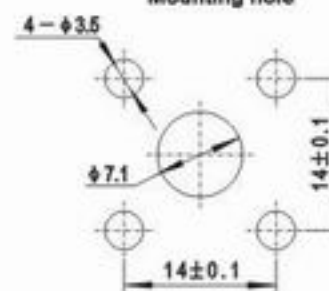
安装开孔尺寸
Mounting hole



TNC-50KFD3等



安装开孔尺寸
Mounting hole



Type	A	B
TNC-50KFD3	8	6.47
TNC-50KFD4	8.5	5.47

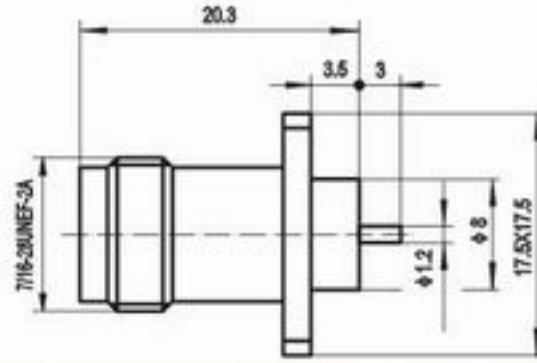
TNC

系列射频同轴连接器
SERIES TNC COAXIAL CONNECTORS

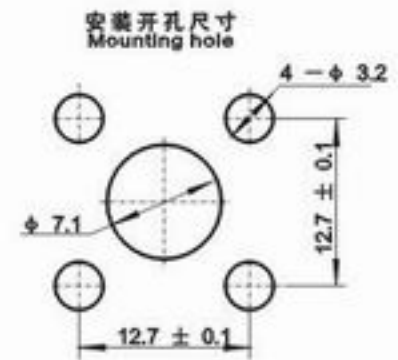
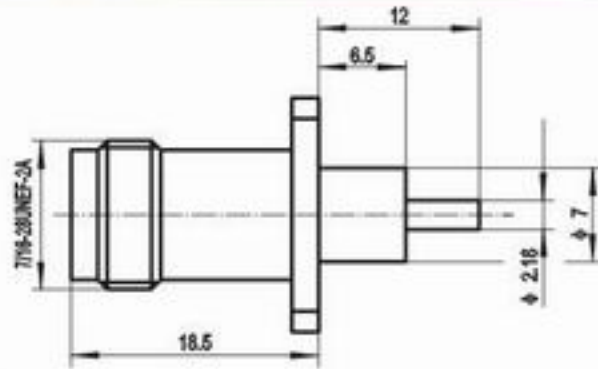
SRT 升瑞科技
SUNRISE-TECH



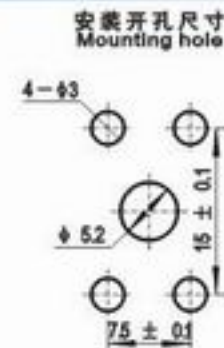
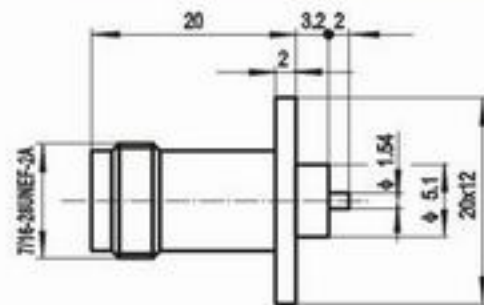
TNC-50KFD5



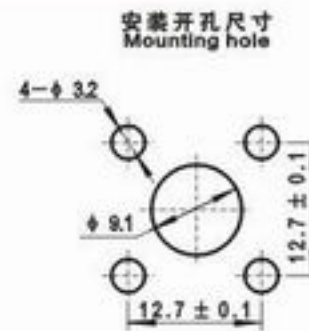
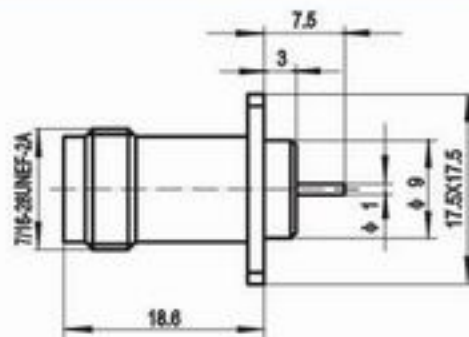
TNC-50KFD15



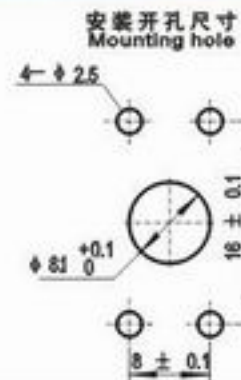
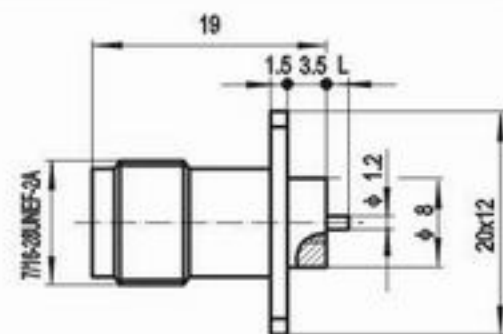
TNC-50KFD21



TNC-50KFD22



TNC-50KFD23等



Type	L
TNC-50KFD23	2
TNC-50KFD24	9
TNC-50KFD26	5

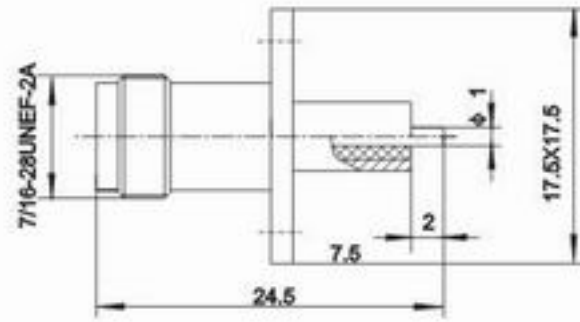
TNC

系列射频同轴连接器
SERIES TNC COAXIAL CONNECTORS

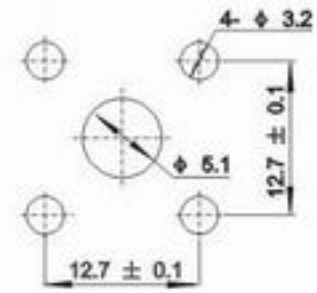
SRT 升瑞科技
SUNRISE-TECH



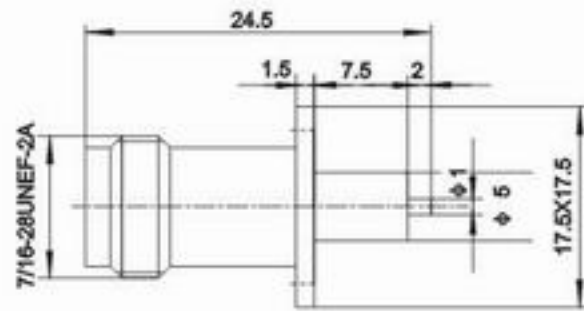
TNC-50KFD29



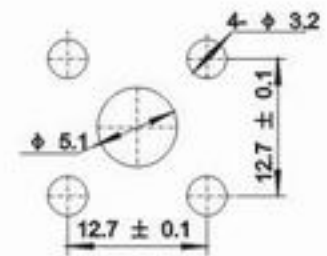
安装开孔尺寸
Mounting hole



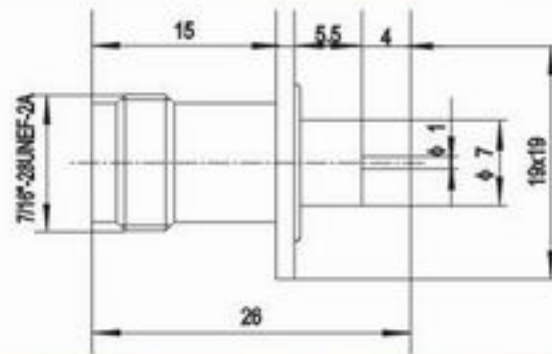
TNC-50KFD30



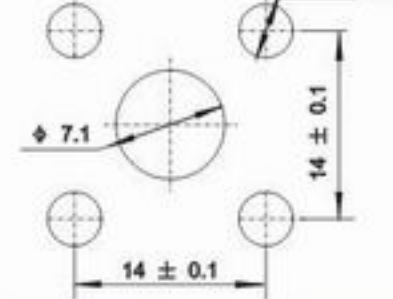
安装开孔尺寸
Mounting hole



TNC(M)-50KFD



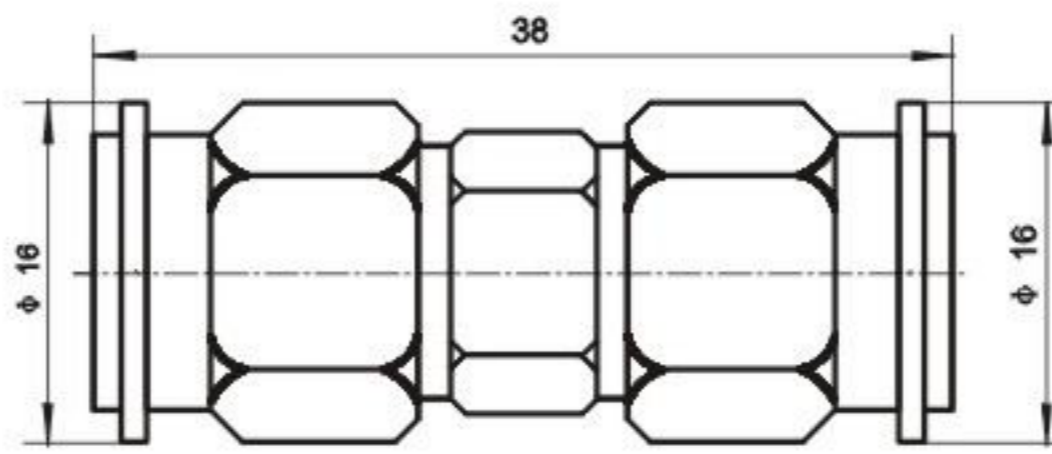
安装开孔尺寸
Mounting hole



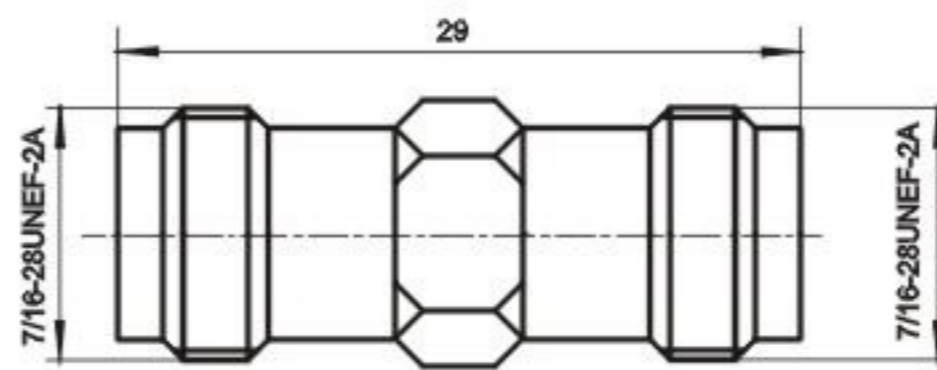
TNC

系列射频同轴连接器
SERIES TNC COAXIAL CONNECTORS

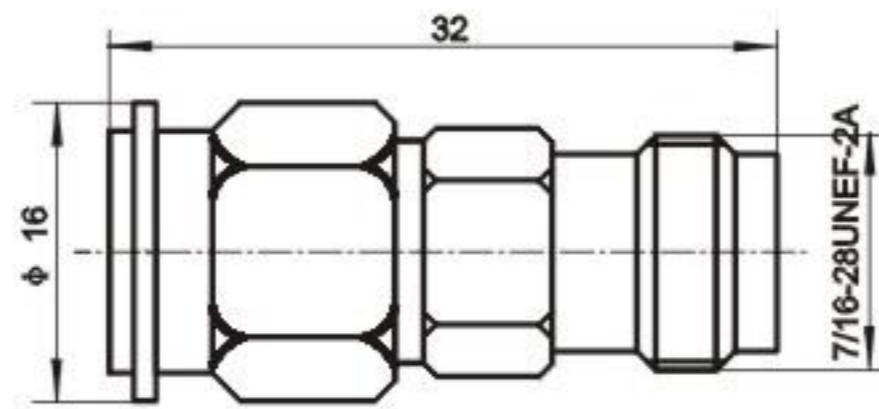
SRT

 升瑞科技
SUNRISE-TECH

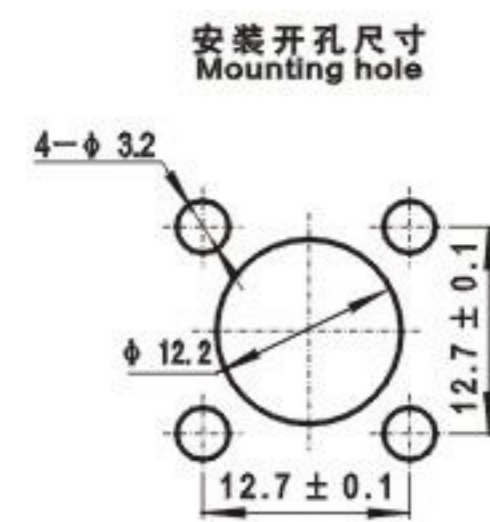
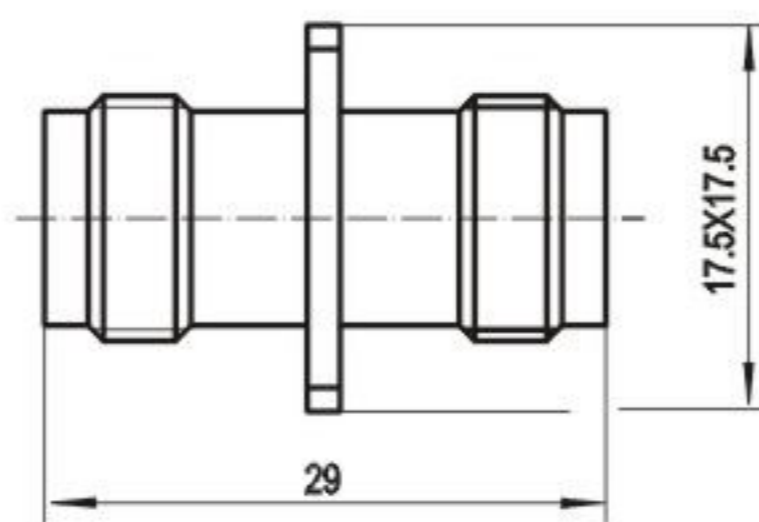
TNC-JJ



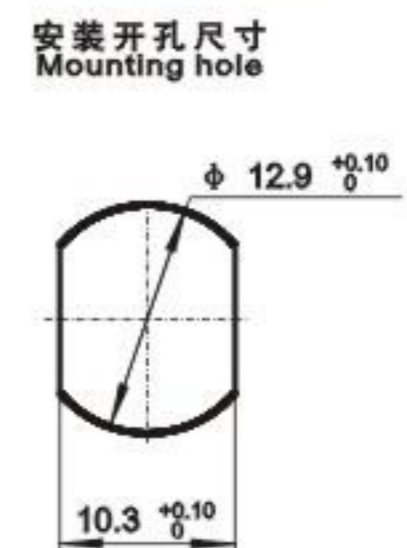
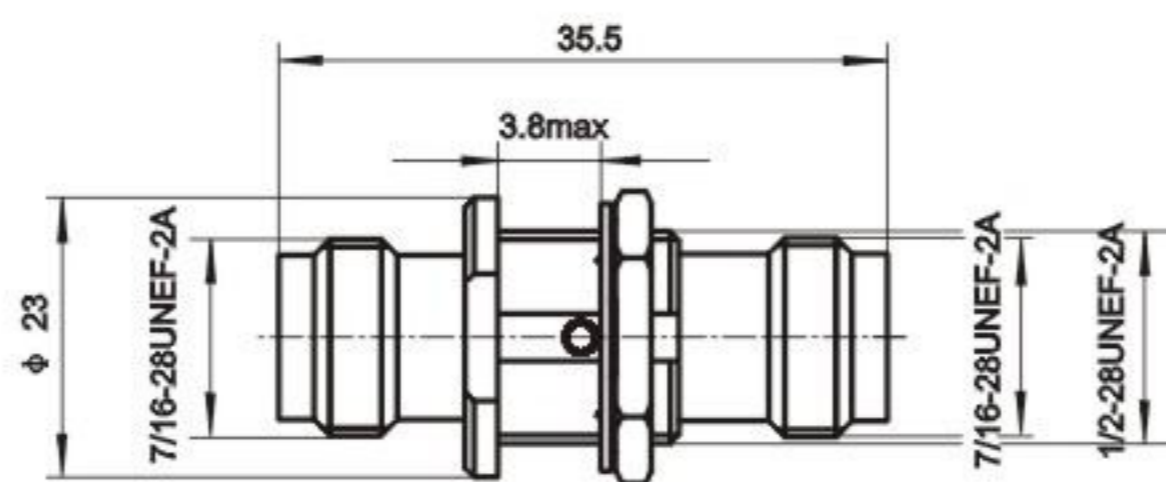
TNC-KK



TNC-JK



TNC-KFK



TNC-50KKY

www.sunrise-tech.hk Tel:+86-755-83324735 Fax:+86-755-83324732 Email:sales@sunrise-tech.hk